

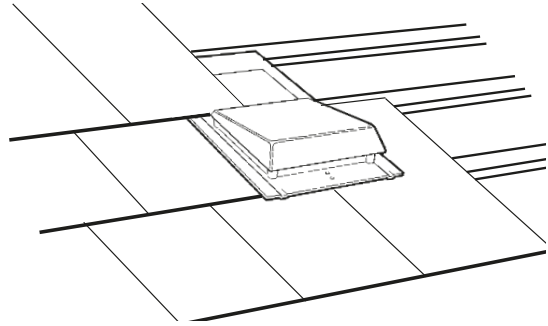
Installation details and cutting template

1. To slate around the ventilator use the template provided overleaf to cut out the sections of the lower two slates.

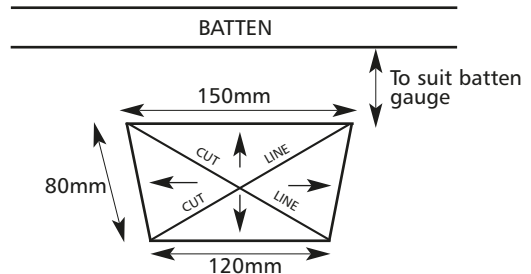
2. Cut the underlay to the shape and dimensions shown in the Underlay Cutting Instructions, ensuring a snug fit to the vent spigot. Fold the triangular shaped flaps outwards under the vent to deflect and prevent water and debris penetration through the underlay.

3. Fit the vent as per a normal slate. When using either natural or man-made slates, secure the tail of the ventilator, using a copper disc rivet, through the hole provided.

4. The base of the HD SRV10U vent may be trimmed along the 'trim lines' on the underside to suit a 500 x 250mm slate.

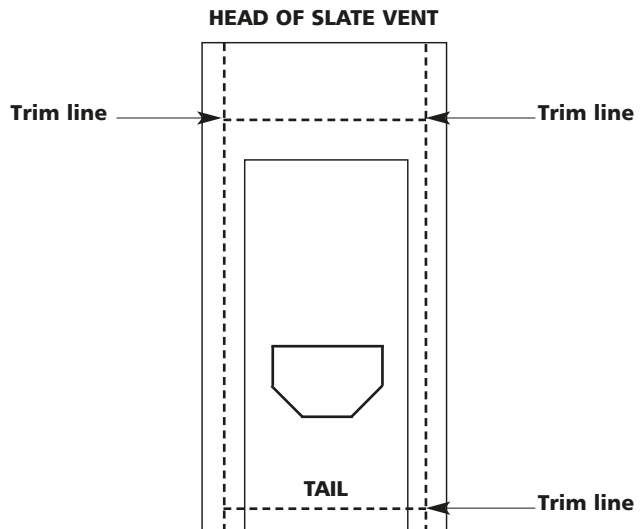


Underlay Cutting Instructions

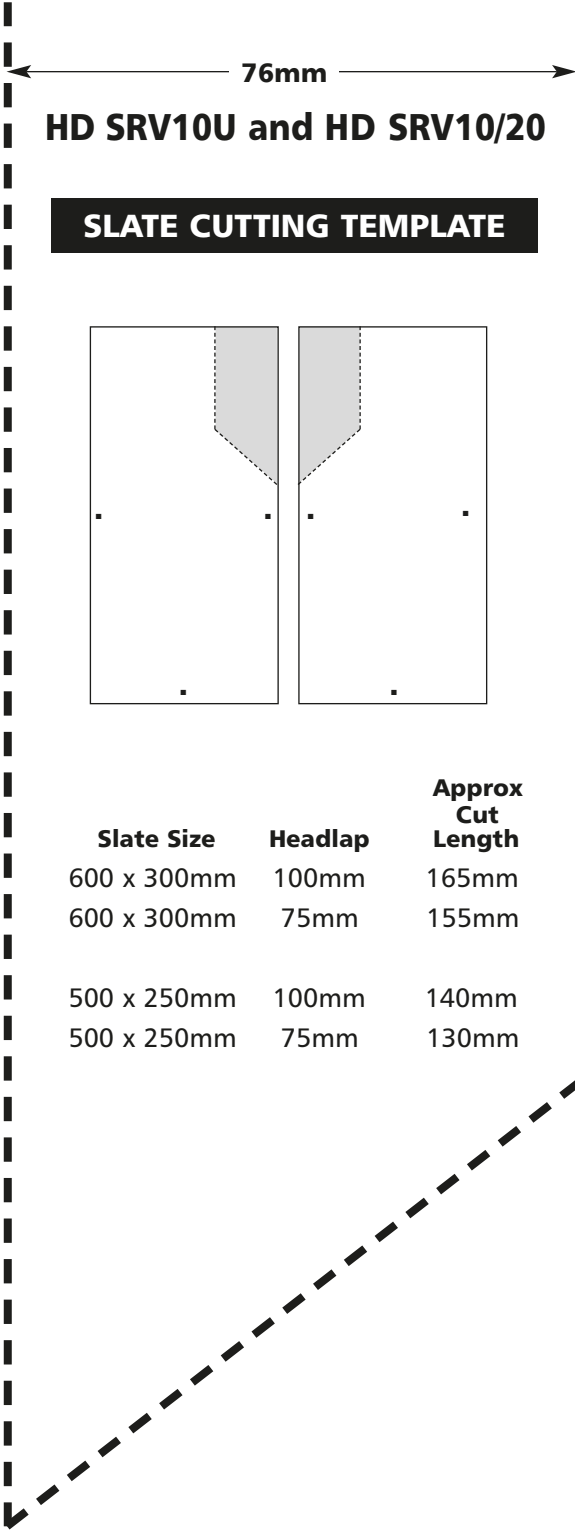


Trimming the vent. HD SRV10U ONLY

This 10,000mm² ventilator has a standard base size of 600 x 300mm. If the vent is required for use with 500 x 250mm slates the size can be reduced by trimming between the lines marked on the underside of the ventilator body. Note that the head of the ventilator may be left untrimmed and the base longer than 500mm to reduce the trimming required on site unless specifically required.

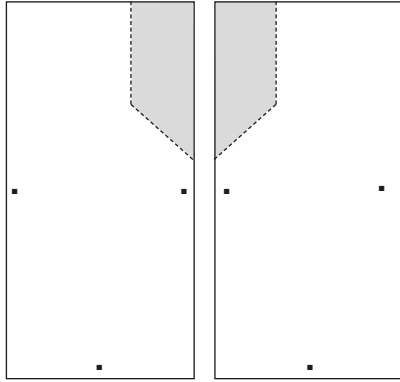


For further advice on the fitting of this product, or any other technical information please contact Hamble Side Danelaw Ltd,
 Long March, Daventry, Northamptonshire NN11 4NR. Tel 01327 701900 Fax 01327 701909



HD SRV10U and HD SRV10/20

SLATE CUTTING TEMPLATE



Slate Size	Headlap	Approx Cut Length
600 x 300mm	100mm	165mm
600 x 300mm	75mm	155mm
500 x 250mm	100mm	140mm
500 x 250mm	75mm	130mm

Cut lengths will vary according to slate gauge and headlap. Use this length for 500 x 250mm slates at 100mm headlap. See table for other cut lengths.

